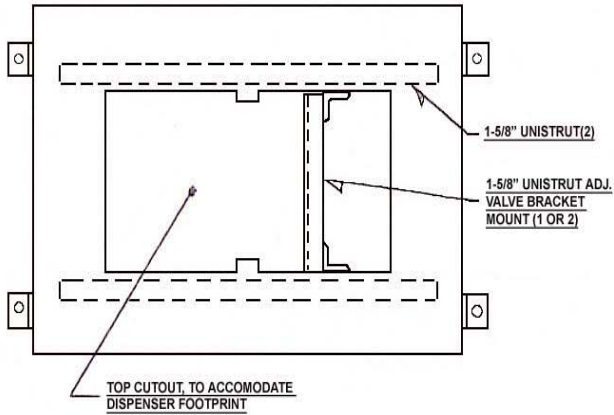


**HOSE RETRIEVER  
MOUNT(S), OPTIONAL**

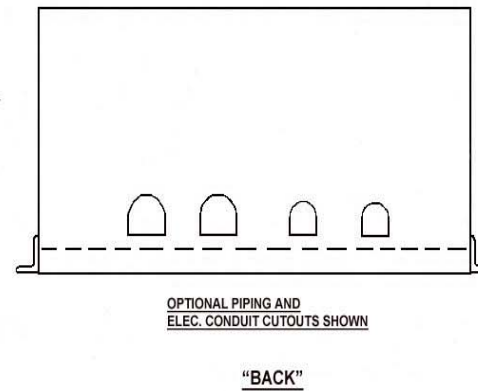
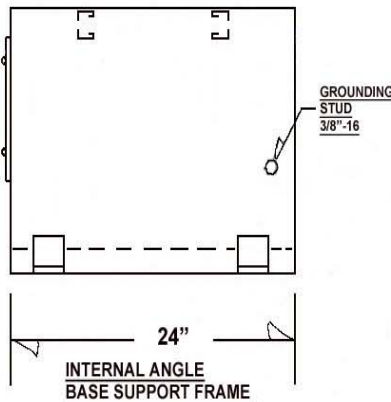
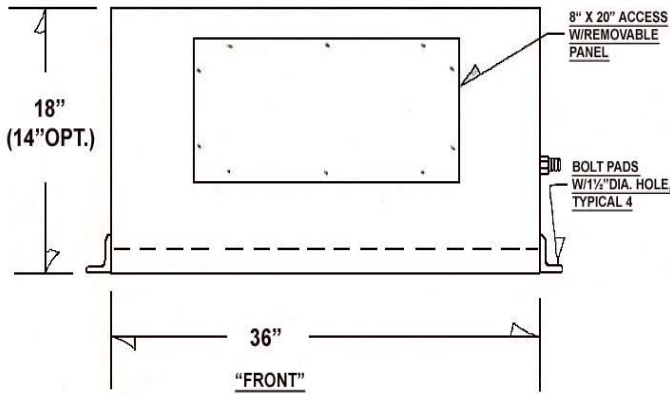


MODEL NO.	Height	Product Lines (valve brackets)	Conduit Openings	Hose Retriever mounts (opt.)
1800-14-110.....	14"	1.....	1.....	0.....
1800-14-111.....	14"	1.....	1.....	1.....
1800-14-121.....	14"	1.....	2.....	1.....
1800-14-222.....	14	2.....	2.....	2.....
1800-18-110.....	18.	1.....	1.....	0.....
1800-18-111.....	18.	1.....	1.....	1.....
1800-18-121.....	18.	1.....	2.....	1.....
1800-18-222.....	18.	2.....	2.....	2.....

MODELS LISTED ARE OPEN-BOTTOM  
CONFIGURATION. ADD SUFFIX "E" TO  
DESIGNATE SOLID, SPILL CONTAINMENT  
BOTTOM.

**MATERIALS:**

- **STAND:**  
12GA STEEL (OPT: 12GA  
STAINLESS STEEL)
- **INTERNAL FRAME:**  
1½ X 1/8 STEEL ANGLE  
(OPT. STAINLESS STEEL)
- **BOLT PADS:**  
2 X ¼ ANGLE (OPT. S/S)
- **COATING:**  
EXTERIOR & INTERIOR  
POWDERCOATED, BLACK  
(OTHER COLORS AVAIL.)  
(OPT. BARE S/S)



This drawing and design are proprietary to  
**BAKER INDUSTRIES NORTHWEST**, and  
may not be copied or duplicated in whole  
or in part without the written permission of  
**BAKER INDUSTRIES NW.**

**#1800 SERIES DISPENSER STAND**

**BAKER INDUSTRIES NORTHWEST**

12428 Highway 99 South, Unit 56  
Everett, Washington 98204-5502

Tel: (425)212-3169 • FAX: (425)353-6788 • e-mail: [larry@bakerindnw.com](mailto:larry@bakerindnw.com)  
[www.bakerindustriessouthwest.com](http://www.bakerindustriessouthwest.com)

REV

REV

REV

DRAWN

LRG

CHECKED

DATE

05-01-04

